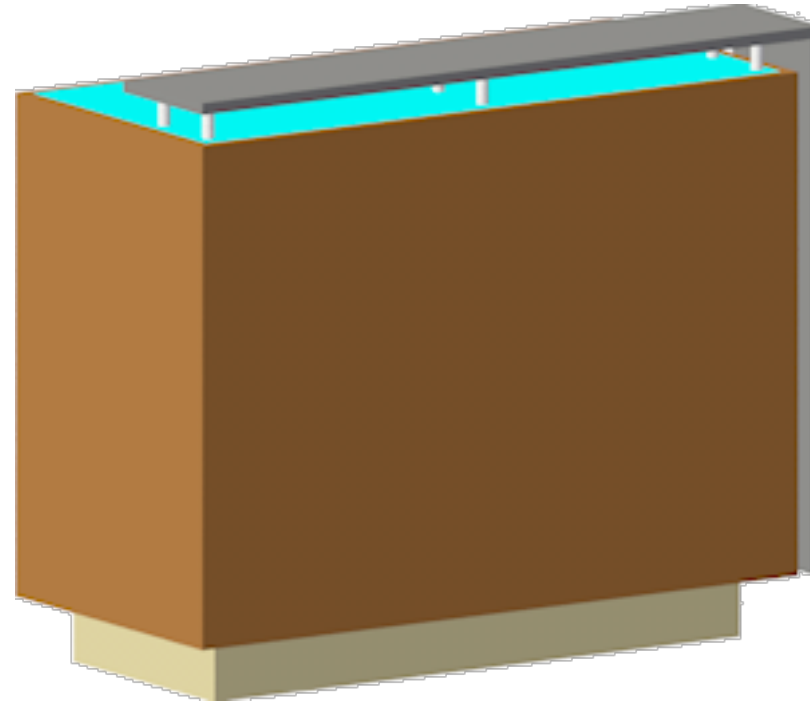
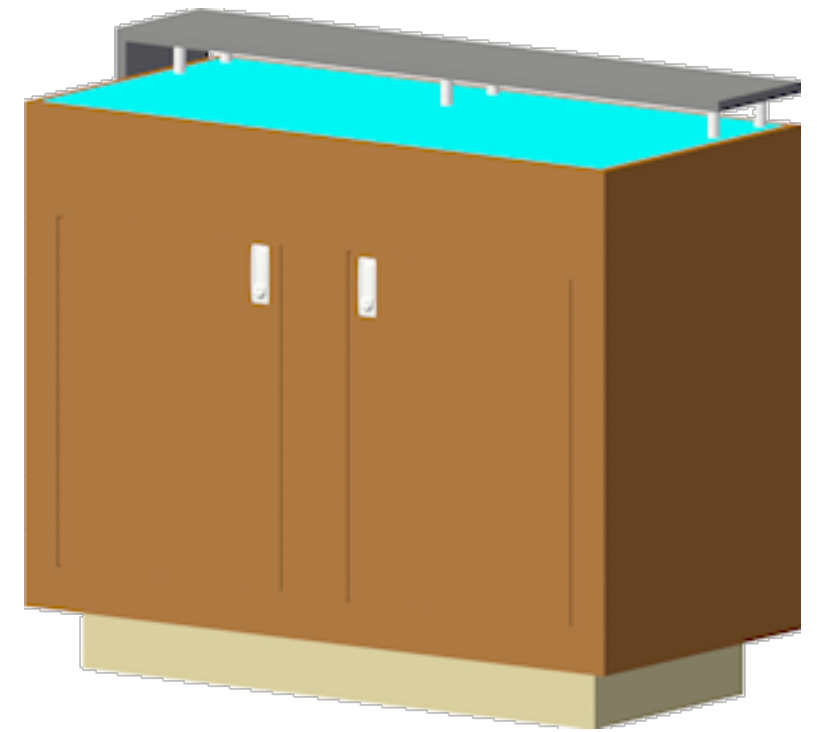


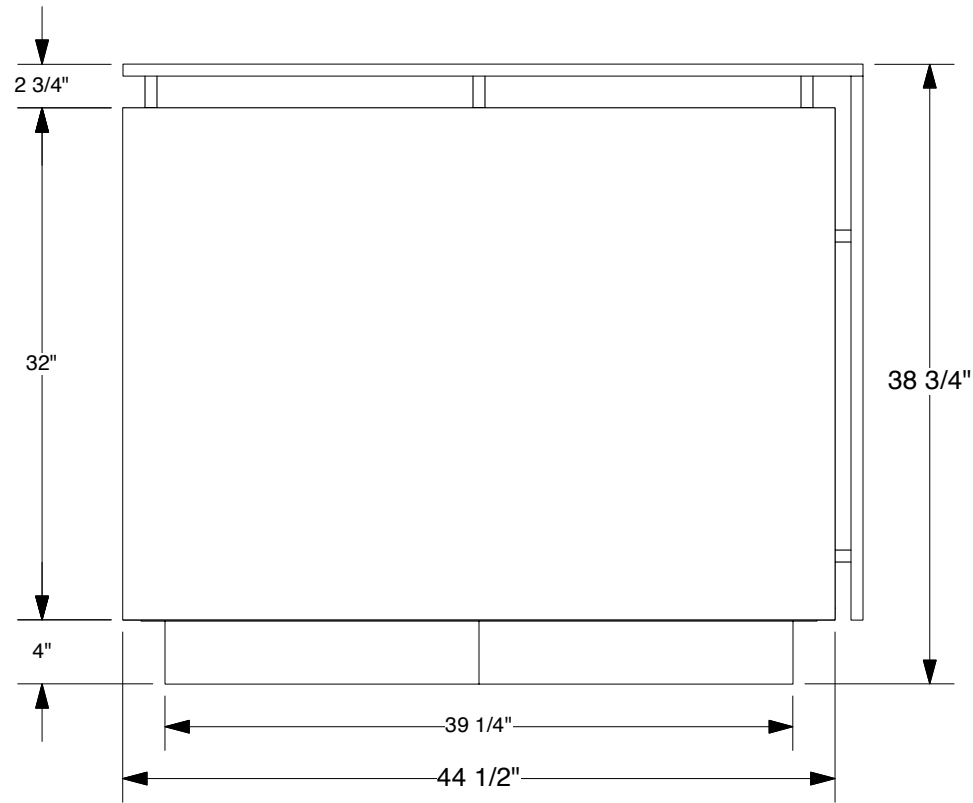
3D VIEW  
RIGHT VIEW



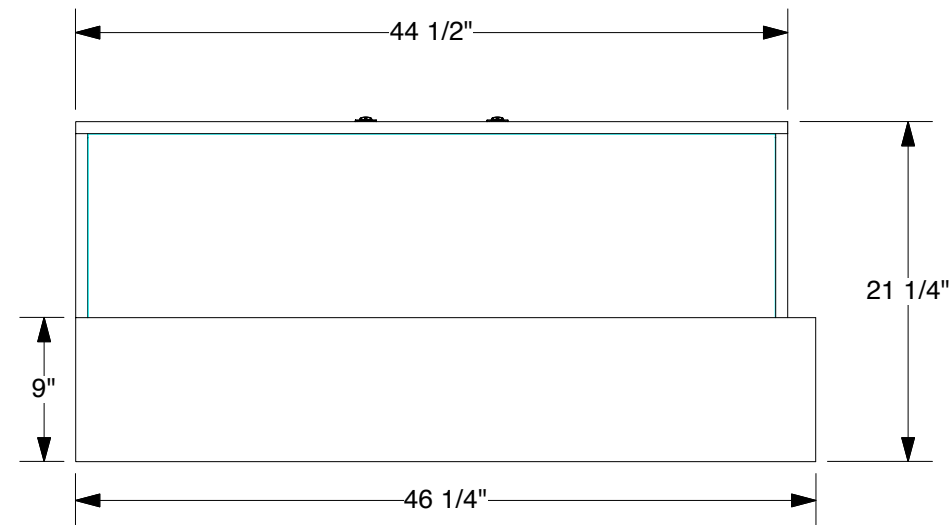
3D VIEW  
LEFT VIEW



3D VIEW  
BACK VIEW



FRONT VIEW



PLAN VIEW



This information is confidential and proprietary to Abex Exhibit Systems and shall not be reproduced or further disclosed to anyone other than Abex employees without written authorization from Abex Exhibit Systems.

Revisions				Description	Date	Scale	Engineer
Zone	Rev.	Description	Date				
				ICON: REVERSE 44-1/2"W UPLIT W/RISER PANELS	10/10/2022	n/a	Tigran K
				Part #		Revision	QC Approval:
				I-C1AR		ICON 00	Production Approval: