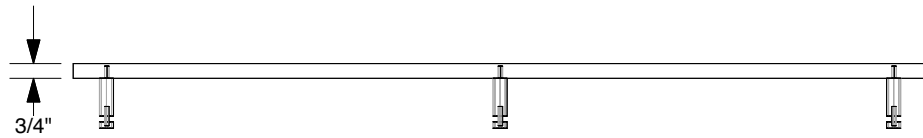
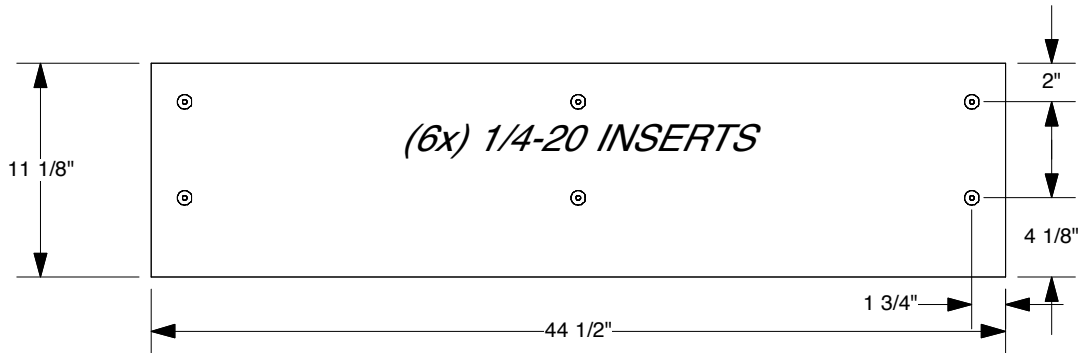


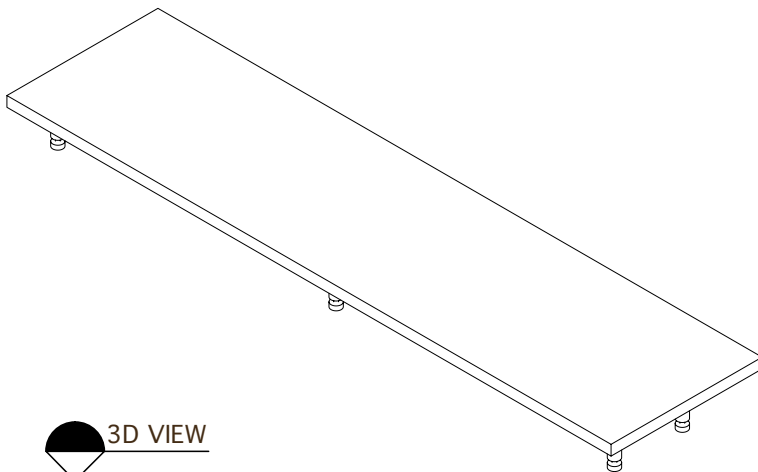
**PART: I-C3-HTOP**  
 CNC FILE NAME: ic3htop



FRONT VIEW



BOTTOM VIEW



3D VIEW

Revisions			
Zone	Rev.	Description	Date



This information is confidential and proprietary to Abex Exhibit Systems and shall not be reproduced or further disclosed to anyone other than Abex employees without written authorization from Abex Exhibit Systems.

Description		Date	Scale	Engineer
3/4" RISER HALFTOP W/6 STANDOFFS		8/23/2021	n/a	Tigran K
Part #	Product Line	Revision	QC Approval:	
I-C3-HTOP	900	00	Production Approval:	