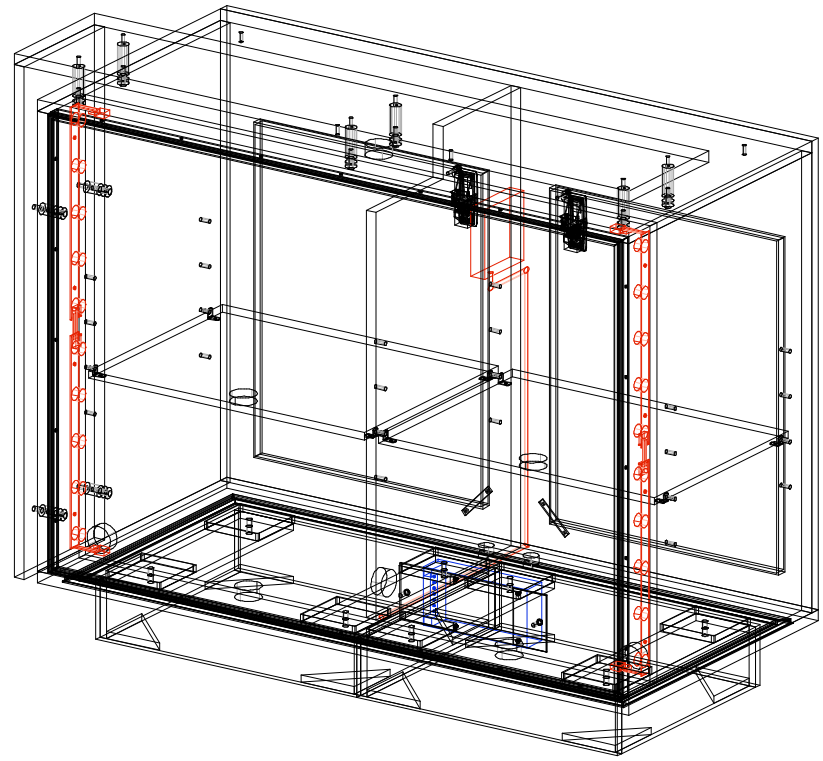
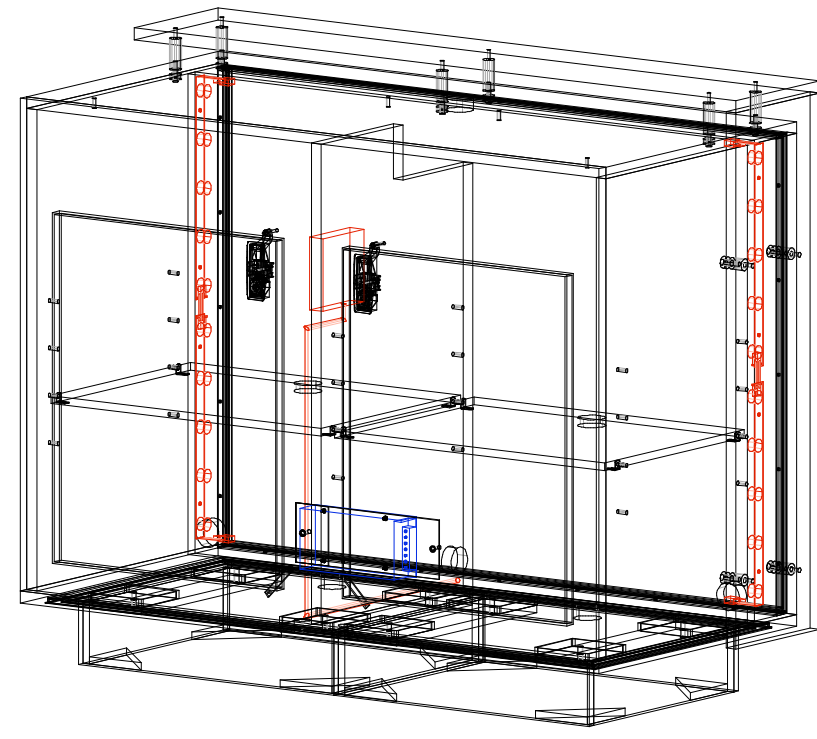


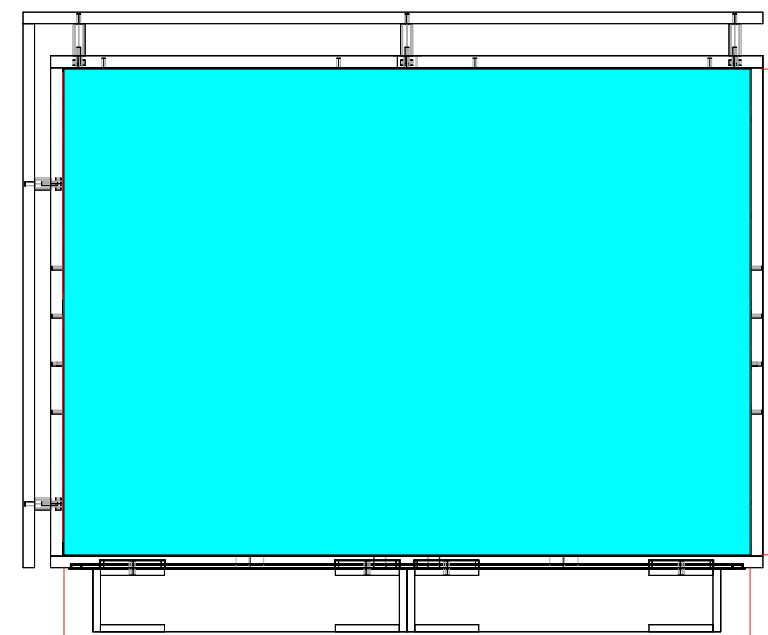
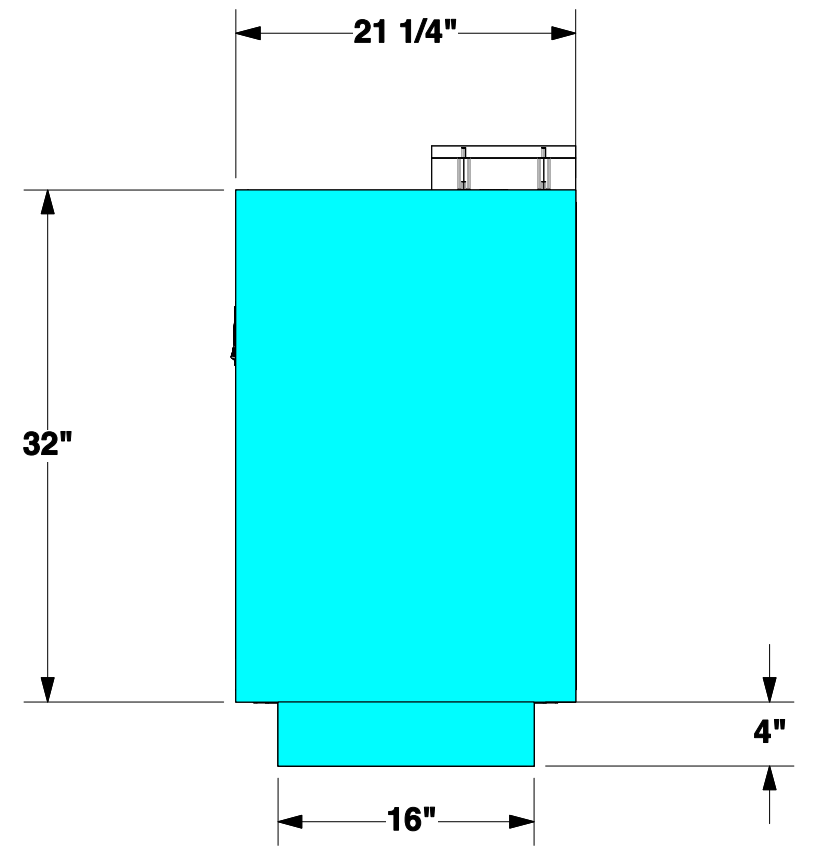
PART: I-C3A



3D VIEW
RIGHT VIEW

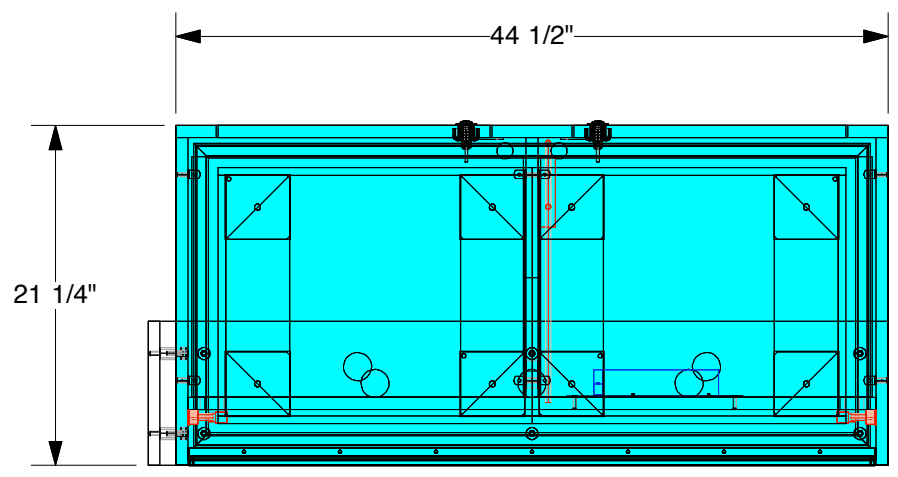


3D VIEW
BACK VIEW

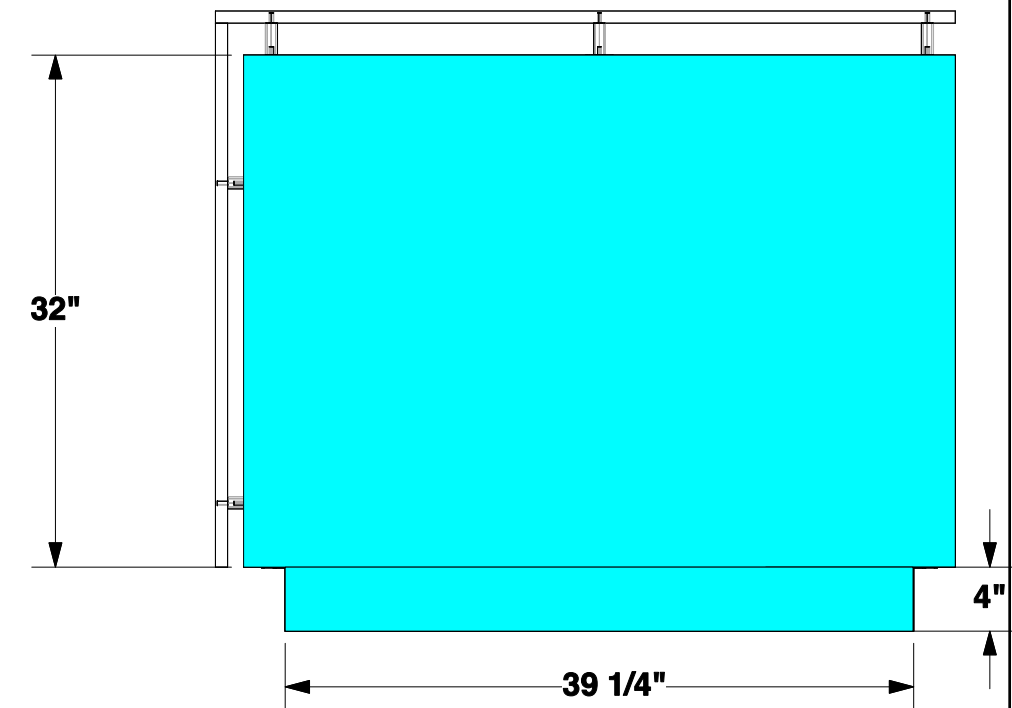


42 7/8"
fabric graphic

FRONT VIEW



PLAN VIEW



This information is confidential and proprietary to Abex Exhibit Systems and shall not be reproduced or further disclosed to anyone other than Abex employees without written authorization from Abex Exhibit Systems.

Revisions			Description		Date	Scale	Engineer
Zone	Rev.	Description	Date				
				ICON: 44-1/2"W FRONTLIT SEG & RISERS		7/31/19	n/a
				Part #	Product Line	Revision	QC Approval:
				I-C3A	ICON	00	Production Approval:
							Tigran K

8 | 7 | 6 | 5 | 4 | 3 | 2 | 1