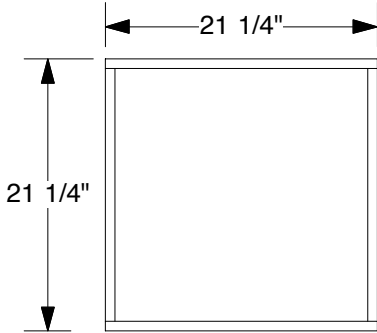
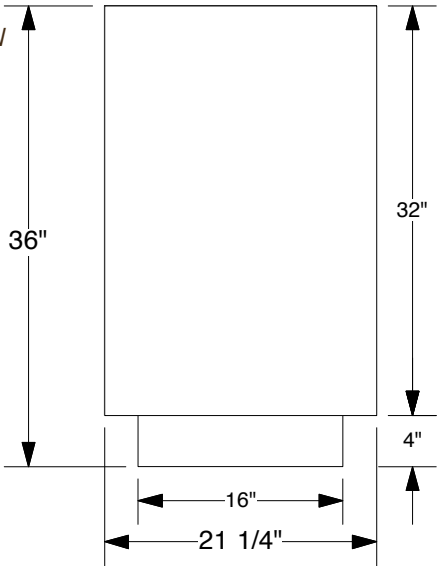


PART: I-PED01



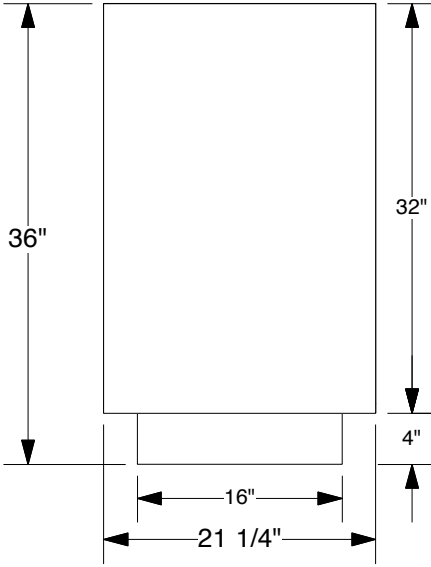
PLAN VIEW

3D VIEW
RIGHT VIEW



FRONT VIEW

3D VIEW
BACK VIEW



SIDE VIEW



This information is confidential and proprietary to Abex Exhibit Systems and shall not be reproduced or further disclosed to anyone other than Abex employees without written authorization from Abex Exhibit Systems.

Revisions				Description	Date	Scale	Engineer
Zone	Rev.	Description	Date	ICON: Corner Pedestal 21-1/4"		n/a	Tigran K
				Part #	Product Line	Revision	QC Approval:
				I-PED01	ICON	00	Production Approval: