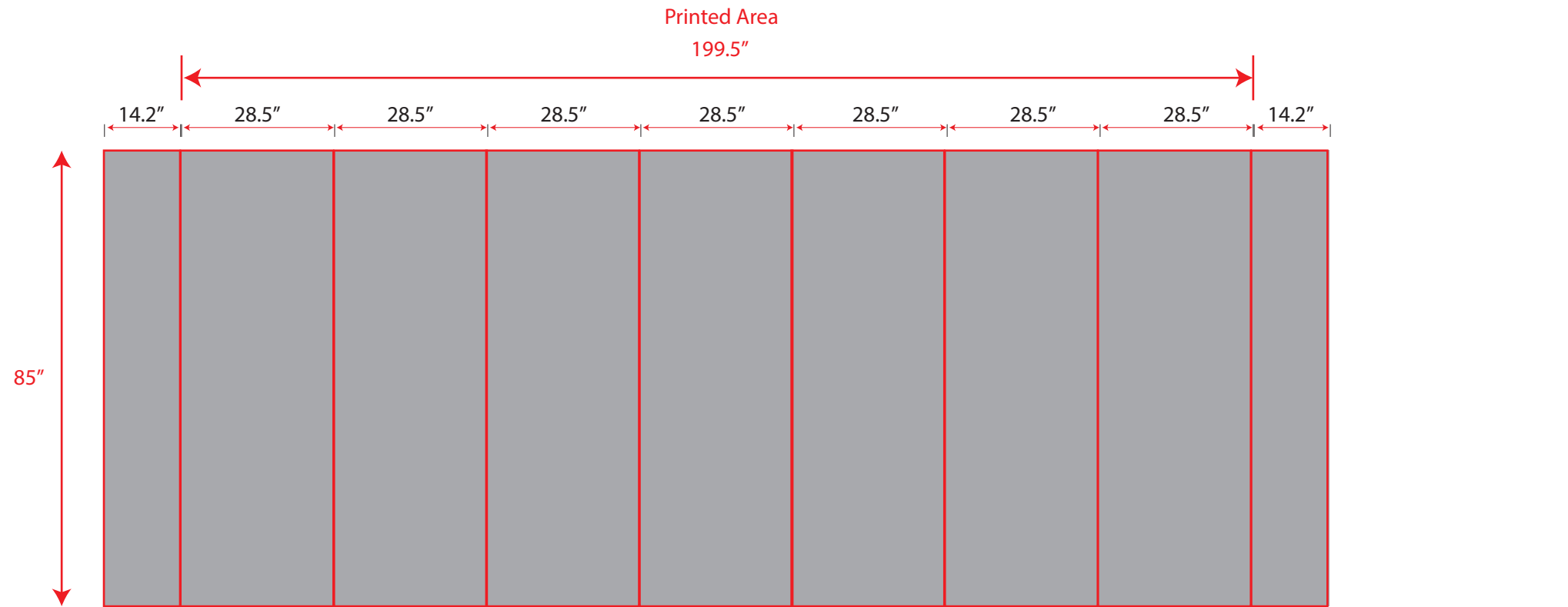


PRS-11

20ft Premium Straight Pop-Up

Graphic Specs/E-proof Approval



■ - Fabric panels around ends

FRONT

■ - Fabric panels around ends

■ - Trim size

Important

YOUR PROOF MUST BE APPROVED BY:

As soon as possible

TO MEET SHIP DATE OF:

NOTE: Changes to this proof will require approval of revised proof.

Please choose one

- A. This proof is approved. I authorize the production of my graphics without viewing a test strip. Proof must be approved by noon PST to start production the same business day.
- B. Please send me a test strip. I understand that selecting this option will add additional production and shipping time. Please confirm turn-around time with your project manager.

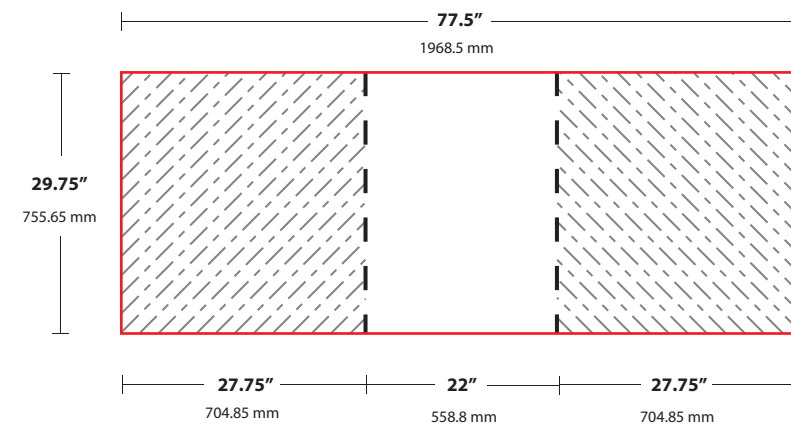
NOTE:

Production will not begin until faxed approval of final test strip. If your artwork was submitted in PMS colors, it will be automatically converted to CMYK. If color matching is essential, please request a test strip, or provide a printed sample for us to color match (ie: stationery, etc). This will add 4+ days to your production schedule, but will ensure a match closest to your preferred color. We print in CMYK, we cannot guarantee an exact PMS match.

3D Model



4600 Counter



Date: _____

Order #: _____

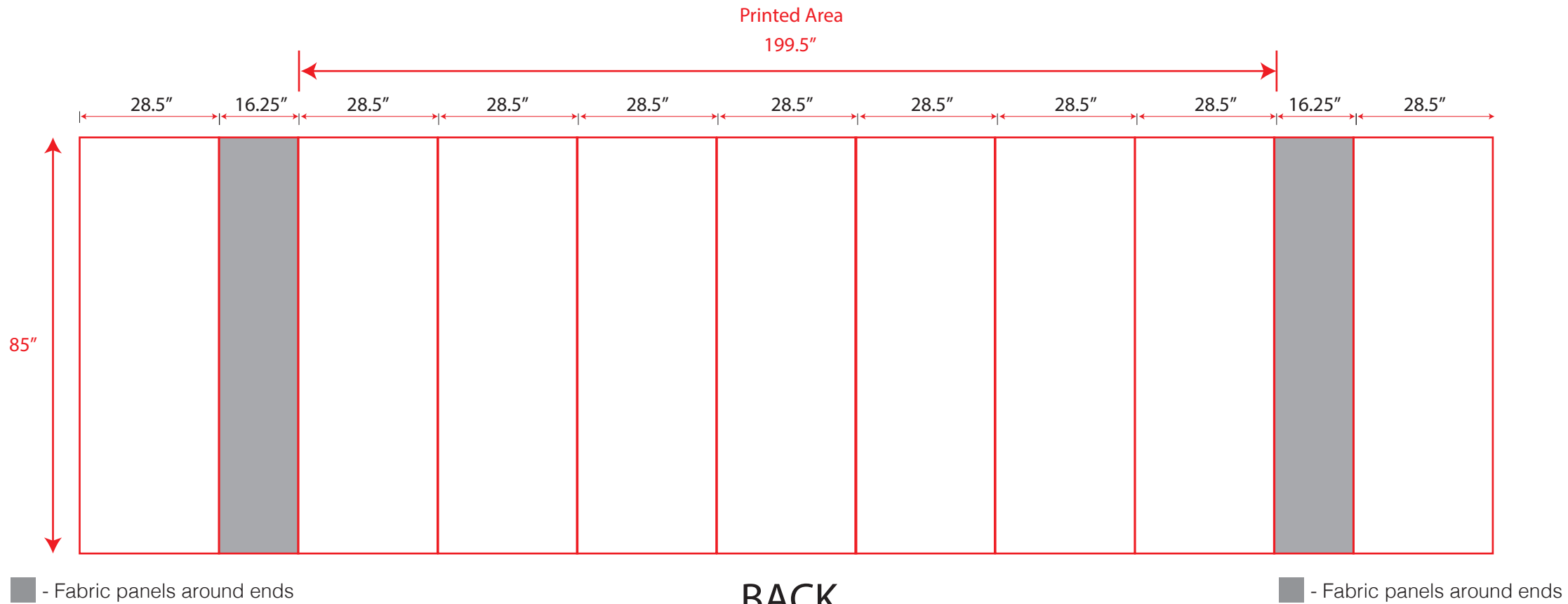
Signature: _____

Client: _____

PRS-11

20ft Premium Straight Pop-Up

Graphic Specs/E-proof Approval



■ - Trim size

Important

YOUR PROOF MUST BE APPROVED BY:

As soon as possible

TO MEET SHIP DATE OF:

NOTE: Changes to this proof will require approval of revised proof.

Please choose one

- A. This proof is approved. I authorize the production of my graphics without viewing a test strip. Proof must be approved by noon PST to start production the same business day.
- B. Please send me a test strip. I understand that selecting this option will add additional production and shipping time. Please confirm turn-around time with your project manager.

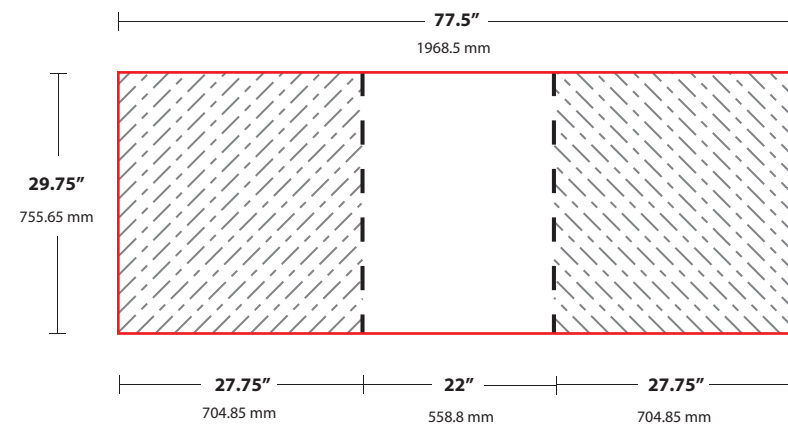
NOTE:

Production will not begin until faxed approval of final test strip. If your artwork was submitted in PMS colors, it will be automatically converted to CMYK. If color matching is essential, please request a test strip, or provide a printed sample for us to color match (ie: stationery, etc). This will add 4+ days to your production schedule, but will ensure a match closest to your preferred color. We print in CMYK, we cannot guarantee an exact PMS match.

3D Model



4600 Counter



Date: _____

Order #: _____

Signature: _____

Client: _____